

Introduction



Rated current: 0.5A~2000A

Optional medical versions(H type)

Solder lug, stud or terminal block connection

($\geq 250A$ it is copper bar)



Features and Benefits

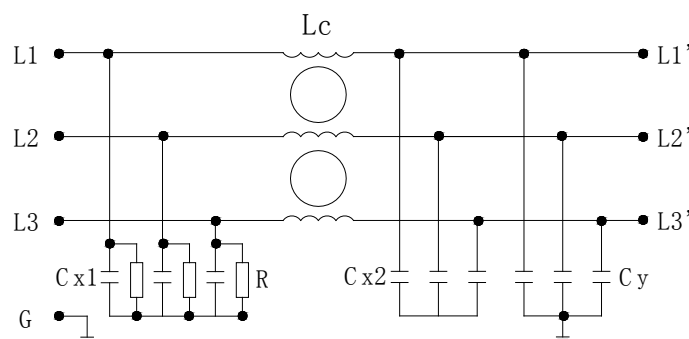
- Suitable for three-phase three-line power supply.
- Compact structure, simple and time-saving installation, specially suitable for applications with limited space, highly cost effective.
- FT310 series are one-stage common mode general purpose three-phase three-line filters.
- Excellent common and differential mode filtering effect for interference from 150KHz to 30MHz.
- 520VAC or 690VAC high voltage versions optional.

Typical Applications

- Widely used for all kinds of electrical unit with Δ connection style
- Print machine, packing equipment
- Textile equipment, industry air conditioner
- UPS, medical equipment



Electrical Schematics





FT310

Technical Data

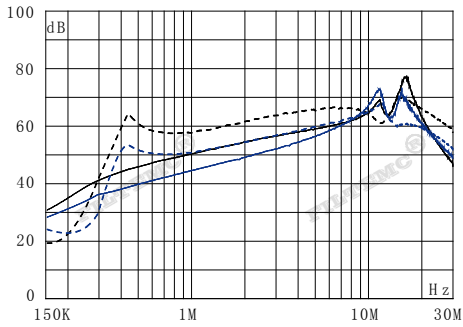
Rated Voltage: V_R	250/440VAC
Operating Frequency: f_R	50/60Hz
Rated Current: I_R	0.5~2000A@40°C
Test Voltage: V_{test}	2250VDC, 3S(line-line); 2700VDC, 3S(line-ground)
Climatic Category(IEC 60068-1)	25/085/21(-25°C /+85°C Damp heat test for 21 days)

Tabulates

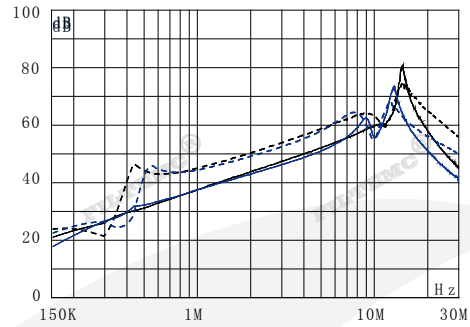
Part No.	Rated Current [A]	Leakage Current [mA] 250VAC/50Hz @20°C	Terminals		Weight [g]
					
			-S	-T	
FT310-6	6	<2.0	M4	○	340/310
FT310-10	10	<2.0	M4	○	350/320
FT310-20	20	<2.0	M4	○	380/330
FT310-30	30	<2.0	M6	○	730/640
FT310-40	40	<2.0	M6	○	740/660
FT310-50	50	<4.5	M6	○	1100/1700
FT310-80	80	<7.5	M8	○	3250/3300
FT310-100	100	<7.5	M8	○	3300/3400
FT310-150	150	<30.0	M10	○	3900/4000
FT310-200	200	<30.0	M10	○	4000/4100

Insertion Loss(dB)

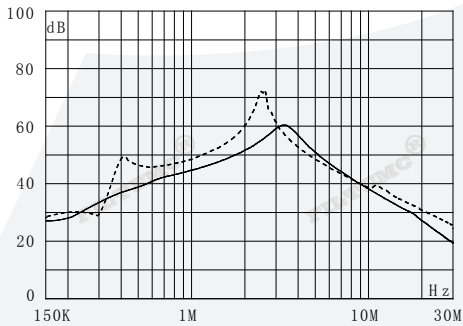
— common mode - - - differential mode



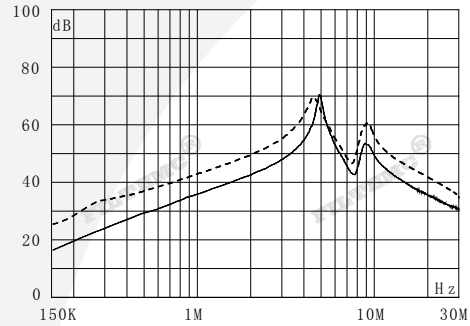
■ FT310-6 ■ FT310-10



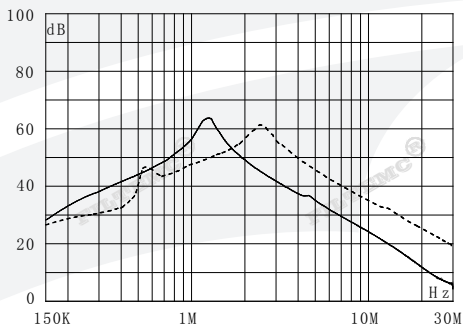
■ FT310-20 ■ FT310-30



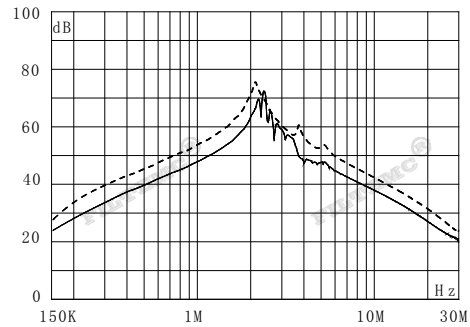
■ FT310-40



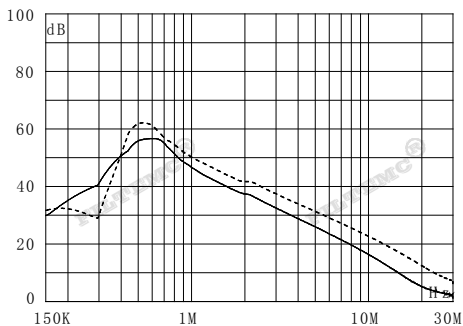
■ FT310-50



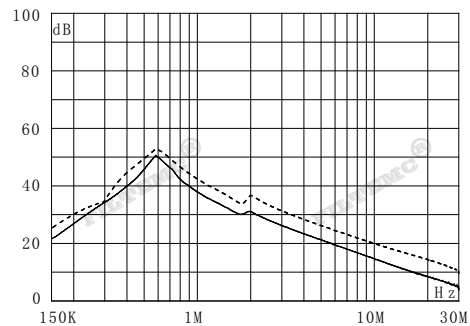
■ FT310-80



■ FT310-100



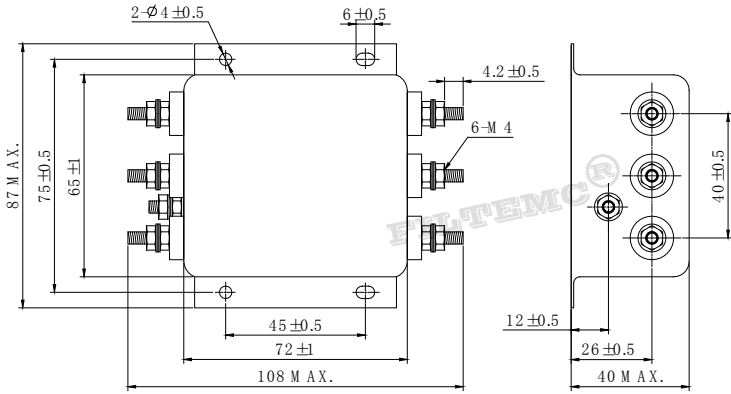
■ FT310-150



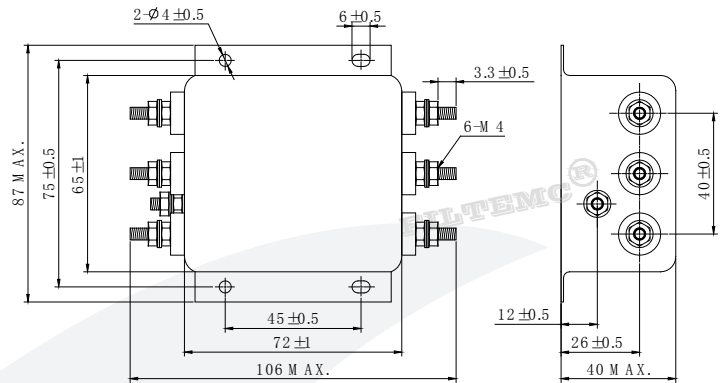
■ FT310-200

Note: Insertion loss is tested with a system of empty load and 50Ω-50Ω according to UL1283 Standard. The actual effect please follow the field data of real application.

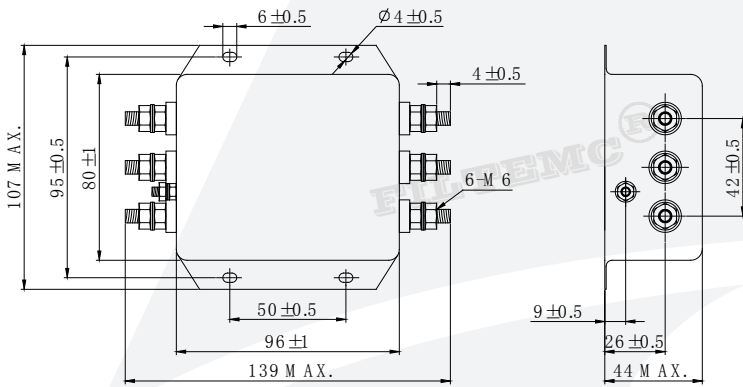
Outline Drawing and Dimensions(mm)



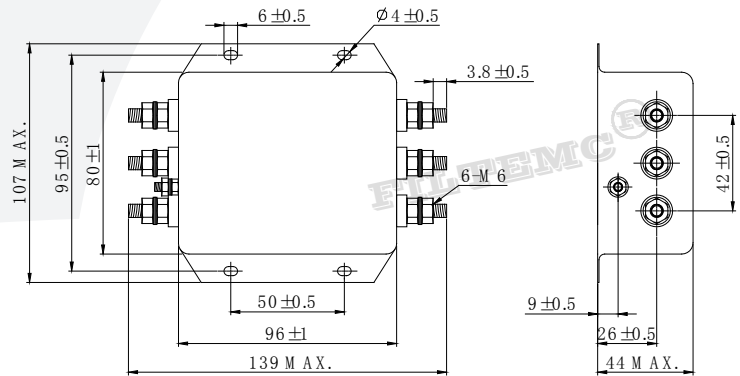
FT310-6/10



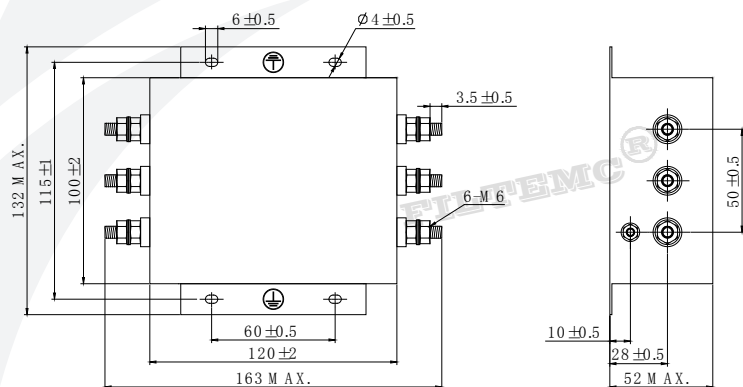
FT310-20



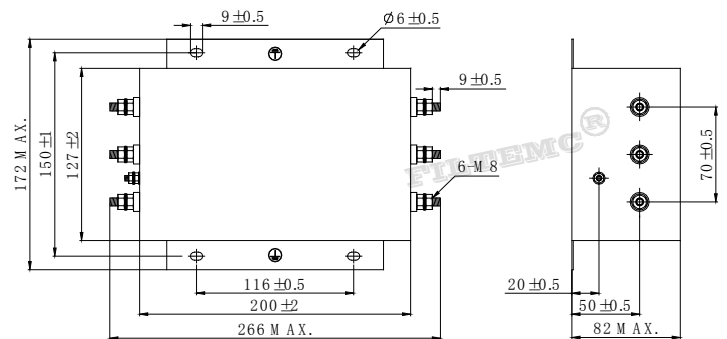
FT310-30



FT310-40



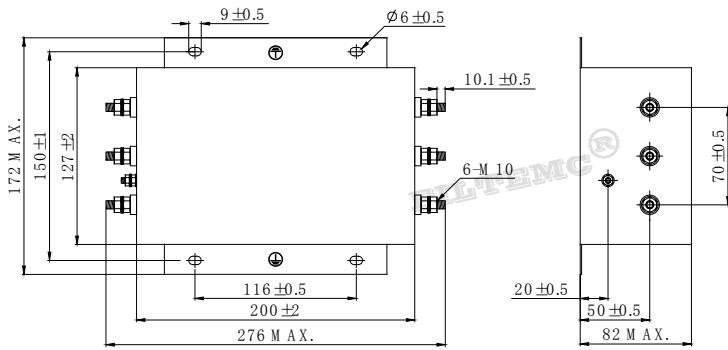
FT310-50



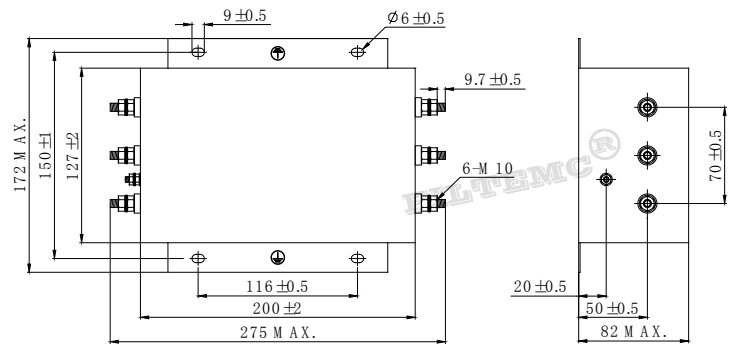
FT310-80/100

FILTEMC

AC 3-Phase 3-Line Filters FT310 Series

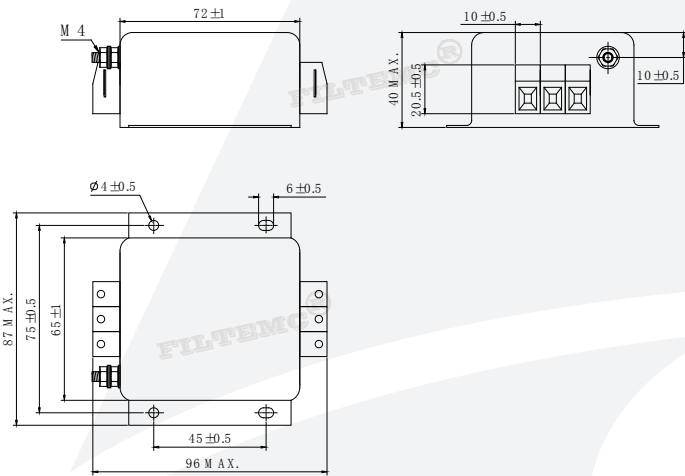


FT310-150

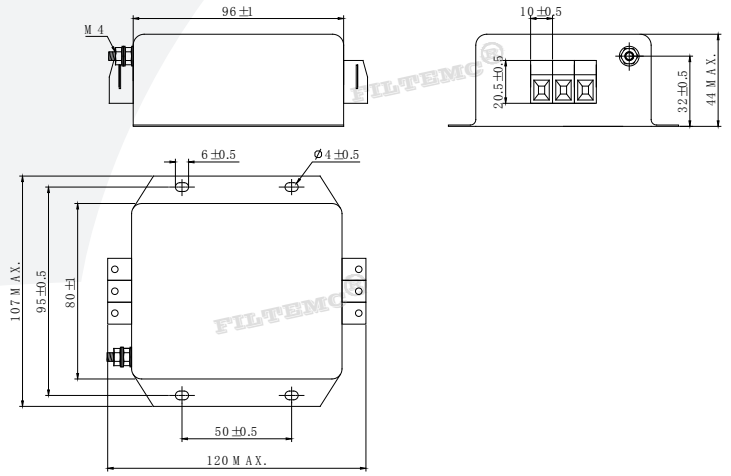


FT310-200

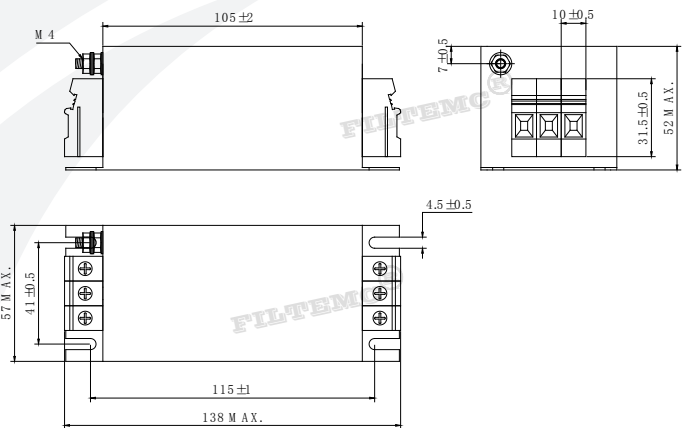
Outline Drawing and Dimensions(mm) of Terminal Block Series



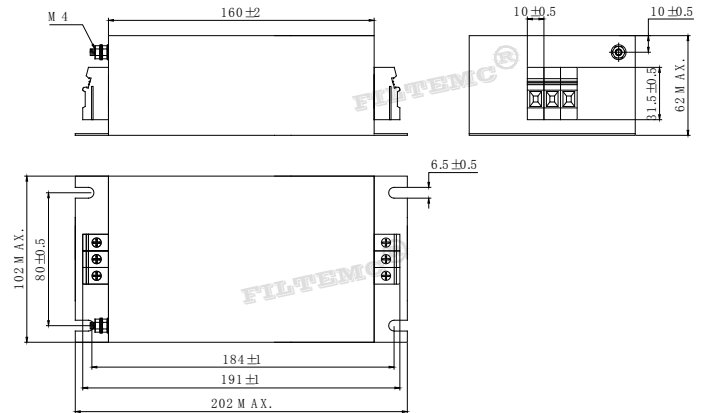
FT310-6/10/20



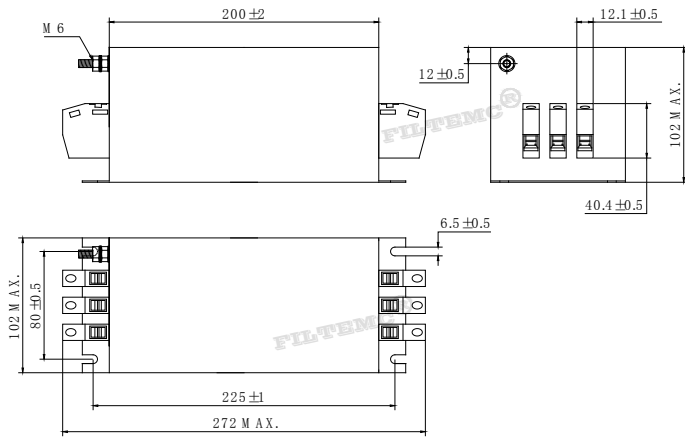
FT310-30



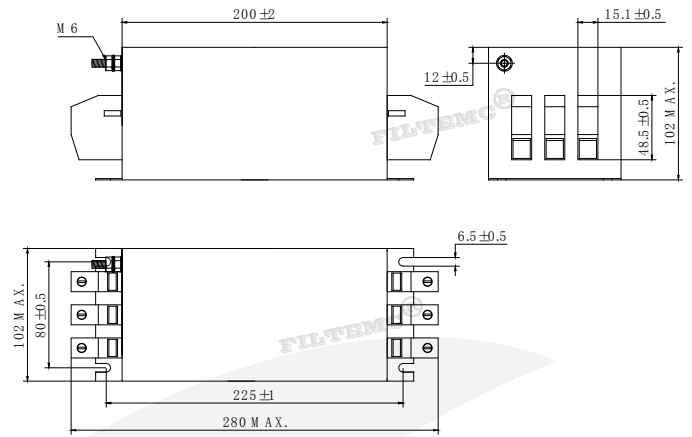
FT310-40



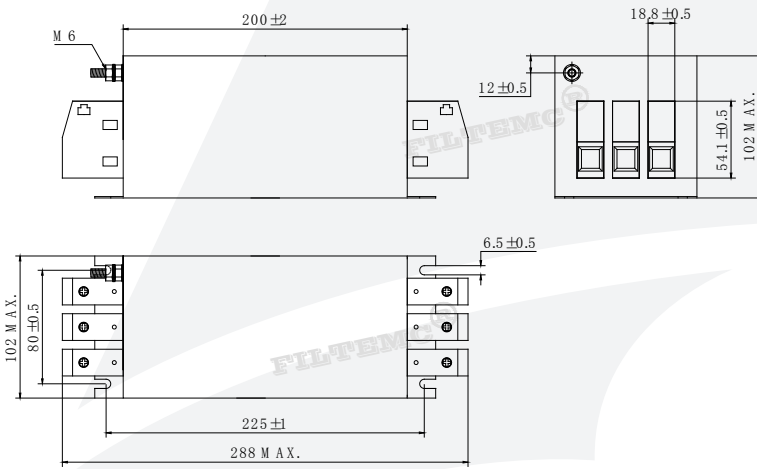
FT310-50



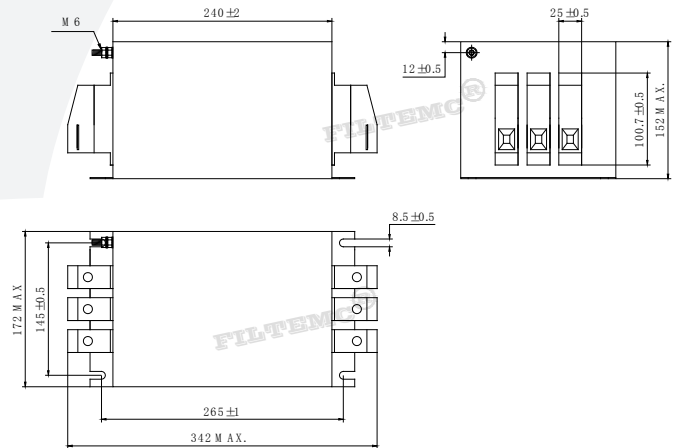
FT310-80



FT310-100



FT310-150



FT310-200

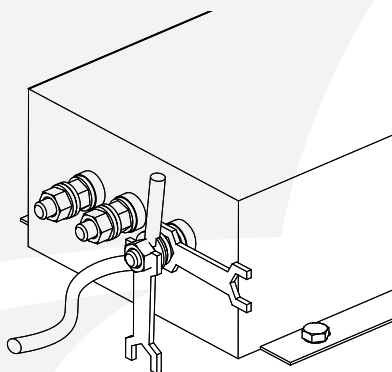
Important Notes on EMI Filter Application

1. Storage of EMI Filters:

EMI filters mustn't be left out in the heat of the sun or exposed to the rain, it should be stored in warehouse with good ventilation, surrounding temperature between -30°C and $+65^{\circ}\text{C}$, the highest relative air humidity lower than 90%, and no corrosive liquid or gas.

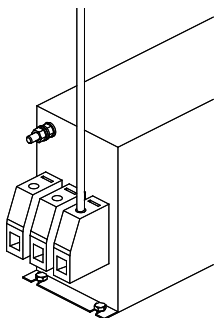
2. Installation of EMI Filters:

- EMI filters should be installed at power input, and the line inside the chassis be as short as possible to reduce radiated interference.
- Both input and output lines of EMI filters neither be intersected nor be tied up by string.
- Make sure the mounting flange fully grounded, and keep the ground cable as short as possible if filters are connected to other equipment.
- If the terminal is stud, please use two spanners to fasten the screw nut when connecting to avoid stud rotating and thus causing changes to the internal circuit and consequently leading to filters arcing, short circuit, broken down or the filtering effect worsened. First use spanner1 to fix the screw nut near the metal case, then use spanner2 to tighten the screw nut in front(shown as Figure1), otherwise the terminals may be damaged. Apply the same for the connection of other phases.

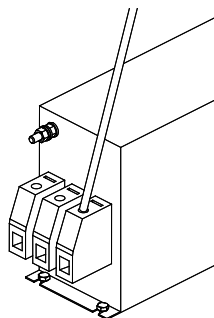


(Figure1)

- Keep the tools fastening the stud be vertical to the metal case of filter when installing terminal block filters (shown as Figure2), must not tilt(shown as Figure3), otherwise the terminal blocks may be damaged.



(Figure2)



(Figure3)

3. Reminding and Warning:

Please read all the safety warnings and instructions before installing filters and putting them into use:

- Don't take terminals as supporting point when moving filters to avoid the terminals distortion, loosening or broken.
- The protective earth connections shall be the first to be made when the EMC filter is installed and the last to be disconnected.
- Filters generate leakage current, please make sure they are well grounded before putting into operation.
- If the rated current is higher than 50A, we recommend grounding by the earth terminals but not only through the metal case of filters.
- Danger of electric shock: EMC filters contain components that store an electric charge. Dangerous voltages can continue to exist at the filter terminals for longer than five minutes even after the power has been switched off.
- The working conditions of EMI filter should comply with the technical parameters stated on the label, over voltage or overload could cause damage to filters. It is suggested to take proper over current protection measures.
- Current drop occurs when the surrounding temperature rise, fail to follow the current drop requirement may lead to impermissible exceeding of the component temperature, as a result the service life of filters will be shortened after long time running.

Service and Support

Contact information of Tech. Dept.:

T: 0086-531-58622887

F: 0086-531-58622899

E: filtemc@filtemc.com

A: Building 20, Xinmao Qilu Science and
Technology City, No. 1 Zidong Road,
Tianqiao District, Jinan 250119, China

Contact information of Sales:

T: 0086-531-58622888

F: 0086-531-58622886

E: filter@filtemc.com

Skype: Lisawong2016@hotmail.com

Web.: www.filtemc.com